



Zhengzhou Fenghua Industrial Co., Ltd. ZHENGZHOU FENGHUA INDUSURY CO.,.LTD

## Ancient book restoration multifunctional bench operating instruction



2020-08-05



## Copyright Statement

2020, Zhengzhou Fenghua Industrial Co., Ltd., copyright rights.

The trademarks and names referred to in this specification are owned by the legal company.

## Responsibility statement

⇒ This specification is protected by the copyright, and all the written contents are owned by Zhengzhou Fenghua Industry Company.

⇒ Zhengzhou Fenghua reserves the right to modify the product specifications or relevant information mentioned in this specification.

⇒ The product specifications or related information mentioned in this specification are for reference only and are subject to any modification or change without notice.

⇒ This specification does not have any form of warranty, position expressed or otherwise implied.

## disclaimer

1. Damage caused by natural disasters (flood, fire, earthquake, lightning strike, typhoon, etc.).
2. Disassemble, repair, or send the products to non-Zhengzhou Fenghua certified maintenance personnel for maintenance.
3. Users without authorization or ask a third party to modify, repair, change the specifications and install, add and expand the accessories not authorized or approved by the original sales and failure.
4. Use problems and faults caused by improper installation and setting of software by users.



Zhengzhou Fenghua Industrial Co., Ltd. ZHENGZHOU FENGHUA INDUSURY CO.,.LTD

## catalogue

Safety instructions.....	3
product presentation.....	4
Device parameter .....	10
Attachment list .....	10
Notes and product maintenance and maintenance .....	10
After-sales service .....	11



## Safety instructions

### Safety specification for electrical operation

To avoid serious damage from a possible electric shock, remove the power adapter before moving the device.

If the power supply is damaged, please do not try to repair it yourself, please give it to the professional technical service personnel.

Before using this product, make sure that all the data cables are correctly connected.

When you want to unplug the connected data cable, make sure to unplug the power cord earlier.

To avoid electrical short circuit, keep all unused screws, paper clips and other parts away and do not leave them in the shell.

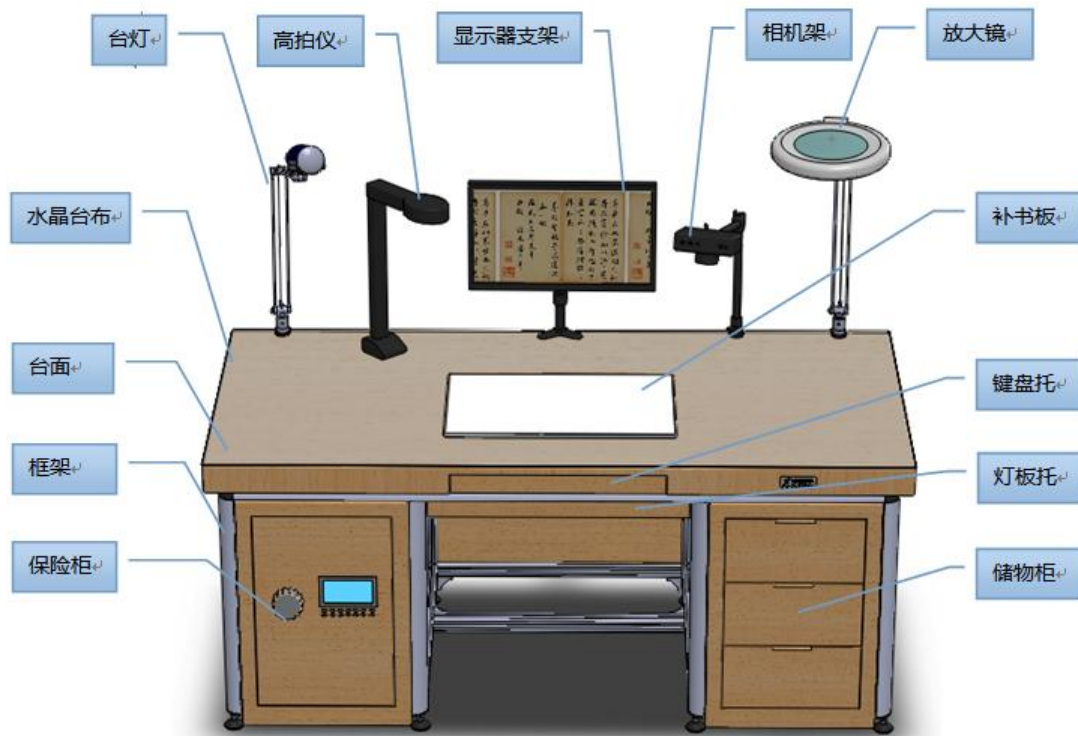
Dust, moisture and drastic temperature changes can affect the life of the circuit, so avoid them in these places.

Do not place this product in a shaking place.



## product presentation

Ancient books repair multi-function workbench is mainly used in calligraphy and painting, ancient books, archives and other paper literature repair operation, mainly auxiliary observation, copy, copy, cleaning, repair, mounting repair process, and this product is equipped with special camera high meter also has the paper literature and three-dimensional objects scanning, remake and archive function.



### 1、 size of product

Length 1800 W 900 H 800 (mm)

### 2、 Wooden table

The table thickness is 80mm, fine processing, the surface paint treatment for 4 times (primer + 3 times + 1 time of scratch resistance topcoat) has the effect of scratch resistance and water immersion resistance; the other surface decoration is the effect of water willow straight grain, to achieve the effect of simple and beautiful.

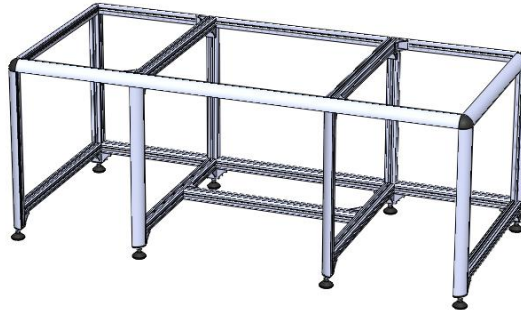
### 3. Aluminum profile frame

Using high quality 6063 grade T5 state of aluminum alloy profile, tensile resistance, distortion resistance, compression effect is excellent, with excellent mechanical properties. The surface of the profile adopts hard anodized oxidation treatment, which



Zhengzhou Fenghua Industrial Co., Ltd. ZHENGZHOU FENGHUA INDUSURY CO.,.LTD

greatly improves the surface hardness and scratch resistance, pitting corrosion resistance and corrosion resistance.



#### 4. Special safe for the restoration of ancient books



Product performance parameters:

A) The special safe for cultural relics is a customized product, measuring 440 mm wide \* deep \* 740 \* height 655, which can place long scroll cultural relics; and for the convenience of placing large cultural relics, the opening Angle of the door is 95°;

B) The cabinet of the safe is made of high quality pure steel plate with a thickness of up to 3mm and a door plate thickness of up to 10mm, which has passed the national 3C certification. In the door plate, the key part of the door bolt to add anti-drilling function, safer, the safe cabinet surface exquisite spray plastic, the new panel design, more in line with the ancient atmosphere of ancient books;

C) The safe applies advanced circuit technology, adopts imported high-performance computer chip, LCD digital display, three password error automatic electronic alarm;

D) can be set freely, 4~8 bit electronic password, emergency can be reopened with the emergency key;

E) The surface anti-corrosion treatment is durable, the fixed hole is installed in the box, can be installed in the hidden corners, more reflects the humanized design;

F) Powerful electronic password + main lock, the security performance is better. The box is laid with high-quality velvet blanket, highlighting the valuable atmosphere;

G) Fill with special fire proof materials, high temperature, impact and fire resistance.



## 5. Storage cabinet



The movable storage cabinet drawer is fixed with high light and low noise, flexible and light. The bottom is equipped with universal casters, which can push and move.

## 6. High-beat instrument

Real-time display and acquisition of high-pixel images.



Product performance parameters:

- A) Maximum resolution: 2592x1944, color: 24 bits; best shooting size: A3 panel;
- B) Image processing: scaling, rotation, image enhancement, filtering, text recognition and other functions;
- c) Image storage: Static storage format: JPG, TIF, PDF, BMP, TGA, PCX, RAS, etc.;
- D) USB power supply, without a dedicated power supply;
- E) Image file management: files can be named according to the date and time or by increasing the serial number;
- F) This product can be folded, light quality and easy to carry. High sensitivity.



## 7、 Universal display bracket

High-grade luxury display installation mechanical arm frame, all metal material, strong and durable; mechanical arm stretching 300mm, can flip 10 °



angle.

## 8、 anti-ultraviolet desk lamp



Product performance parameters:

a)Special custom extended arm rod, flexible universal twist, elongated;

B) Professional optical grille, with more uniform and soft light;

C) High efficiency and energy saving, higher light efficiency, long life design, lumen maintenance rate of 98%, high color rendering, better light environment, brighter color.

## 9、 removable digital camera bracket





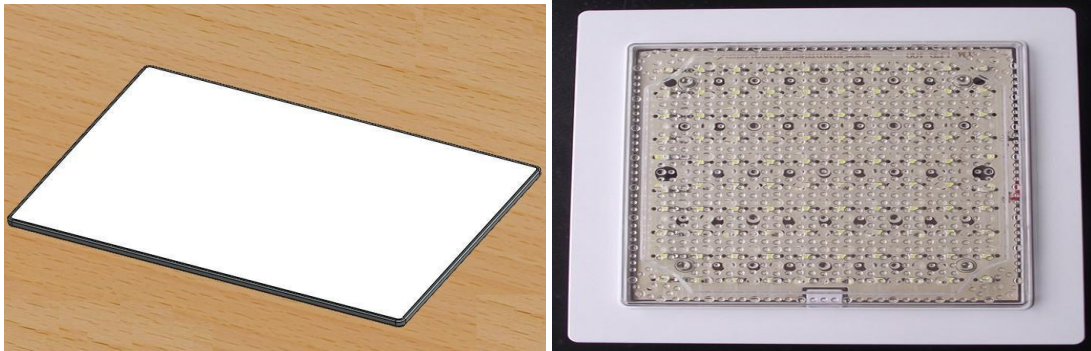
Product performance parameters:

A) Using aluminum alloy material, can be fixed to each brand of digital camera, camera equipment;

Bit) can be adjusted up and down in the horizontal direction of the working table area;

And c) hold-fixed on the work table and adjust any angle.

## 10、 to fill the book board



Product performance parameters:

A) Input voltage: 12V; power: 6W;

Bb) Color temperature: 6500K;

c) Size: length 570 \* width 373 \* thick 8, ultra-thin design, thickness is only 8 mm;

D) Service life: 5 years of service period, no radio interference, will not pollute the environment.



Zhengzhou Fenghua Industrial Co., Ltd. ZHENGZHOU FENGHUA INDUSURY CO.,.LTD

Product features:

A) Adopt LCD backlight technology and high-efficiency LED chip to ensure high LED efficacy, low light decay and long life;

B) The surface is smooth, bright and uniform, soft and not dazzling and not flashing;

C) The lamp is light and easy to install. Environmental protection, safety, no pollution, in line with RoHs specifications;

D) Stable performance and low maintenance rate. Strong versatility, convenient installation and save space;

E) The life span is more than 30,000 hours, even if the frequent switch will not affect the product life;

F) Green environmental protection lighting products, not containing mercury, lead and other polluting element materials;

G) High color rendering index, strong color reduction, clear vision, see the object is not distorted, suitable for high-grade commercial lighting places;

I) No strobe, pure DC work, eliminate the visual fatigue caused by the traditional flat panel lamp strobe.

## 11. A removable magnifying glass



Product performance parameters:

A) Dual combination of magnification and lighting, and magnification multiple can be selected according to different requirements;

B) The light is stable without stroboscopic, which can slow down visual fatigue and prevent myopia;

Voltage of c): DC12V, power: 7W;

D) Amplification: 3X, 5X, 8X, 10X, 20X (optional);

E) Lens diameter: 125mm.



## plant parameter

- 1) Equipment model: FH-GM1509;
- 2) Table size: 1800 (length) 900 (width) 800 (height) mm;
- 3) Weight: 150 Kg;
- 4) Input voltage: 220V 50HZ; use voltage: AC 220V to DC 12V;
- 5) Power: 40W.

## Annex list

name	quantity
Main body of ancient book restoration	A
LED desk lamp	A
magnifier	One
Fill the book board	One
High beat instrument	A
Camera frame	One
Universal display holder	One
Aluminum alloy clip	Two
instructions	A
certificate	A

## Notes and product maintenance and maintenance

1. Please protect the outer surface of the multi-functional repair platform of ancient books to avoid scratches that affect the appearance of the cabinet;
2. Please clean the interior of the table, safes and cultural relics cabinets regularly;
- 3, do not live maintenance;
- 4, please do not place electric soldering iron and other heat source equipment on the surface to prevent damage to the desktop;
- 5, please lay the power line correctly, so that it will not be damaged by trampling and sharp corners. Pay special attention to the protection of the plug, convenient socket and equipment contact point position;
6. In a thunderstorm or not used for a long time, please unplug the plug;
7. Please entrust the qualified after-sales service personnel to conduct the maintenance work.



Zhengzhou Fenghua Industrial Co., Ltd. ZHENGZHOU FENGHUA INDUSURY CO.,LTD

## after-sale service

This equipment from the date of sale, free warranty for one year, and responsible for maintenance.



*Zhengzhou Fenghua Industrial Co., Ltd*  
ZHENGZHOU FENGHUA INDUSURY CO.,LTD

### 企业核心价值观

- ① → 正直、诚实和责任心是枫华人的基本品质
- ① → 以人为本、尊重知识、尊重个性，倡导团队精神
- ① → 崇尚创新精神，关注现代生命科学的新产品、新技术
- ① → 以市场为导向，关注客户需求，提供解决方案，为用户创造价值，杜绝短期行为
- ① → 注重合作与联盟，与同行和客户结成战略伙伴关系
- ① → 以促进人类健康为己任，创造效益回报社会

Zhengzhou Fenghua Industrial  
Co., Ltd

ZHENGZHOU FENGHUA INDUSURY CO.,LTD

Production address: Baisha Industrial Park,  
Zhongmou County, Zhengzhou City

Contact number: 0371-67602008