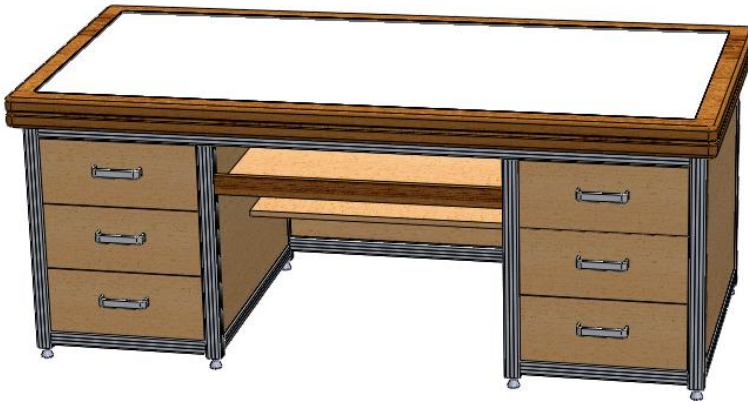


## Technical response files

(→) Equipment specification and quantity:



(→) Detailed performance list of the equipment:

### **Calligraphy and painting (ancient books) copy restoration table**

FHX-ZHKB series calligraphy and painting (ancient books) copy repair platform is a new type of cultural relic restoration equipment developed by our company according to the actual needs and requirements of the domestic museum cultural preservation department. It is a utility model patent product of our company. This product uses solid wood frame inlaid toughened glass table, energy saving LED step gear can adjust the cold light source, low voltage and weak current, safe and reliable. Aluminum alloy frame composite board table body, comfortable, beautiful, without heat dissipation device.

#### **1. Main functions of calligraphy and painting (ancient book) copy restoration platform:**

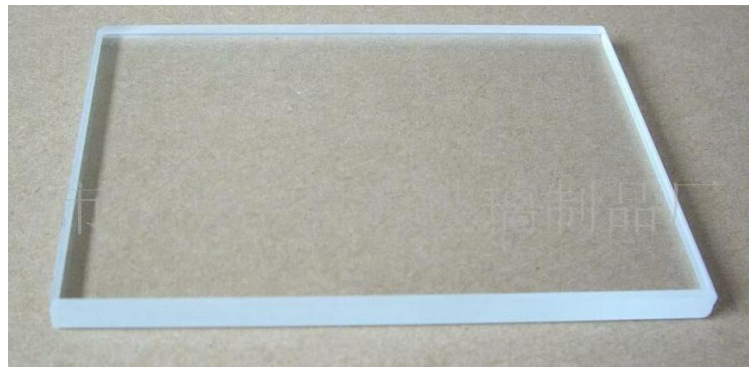
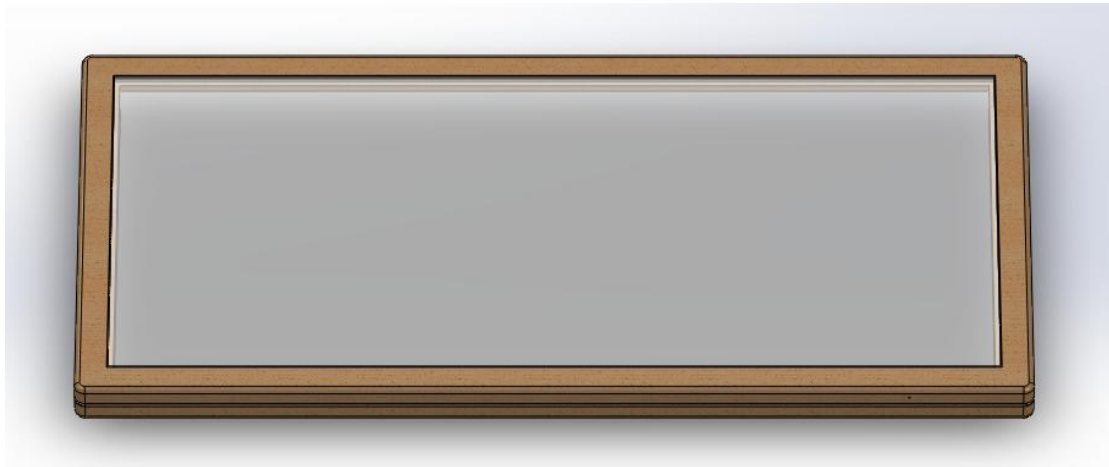
It is mainly used in the observation, copying, copying, cleaning, repair, mounting and other process processes such as calligraphy and painting, ancient books, archives, etc.

#### **2. Main structure of calligraphy and painting (ancient books) copy restoration platform:**

(1) Product specification: L1800 W900 H750 (mm);

(2) Solid wood countertop: the solid wood frame is inlaid with the toughened glass plate structure. Solid wood is pine for whole planing and the surface is scratch

resistant varnish; the glass is high quality ultra-white tempered laminated glass of 8mm thickness with fine grinding corners.



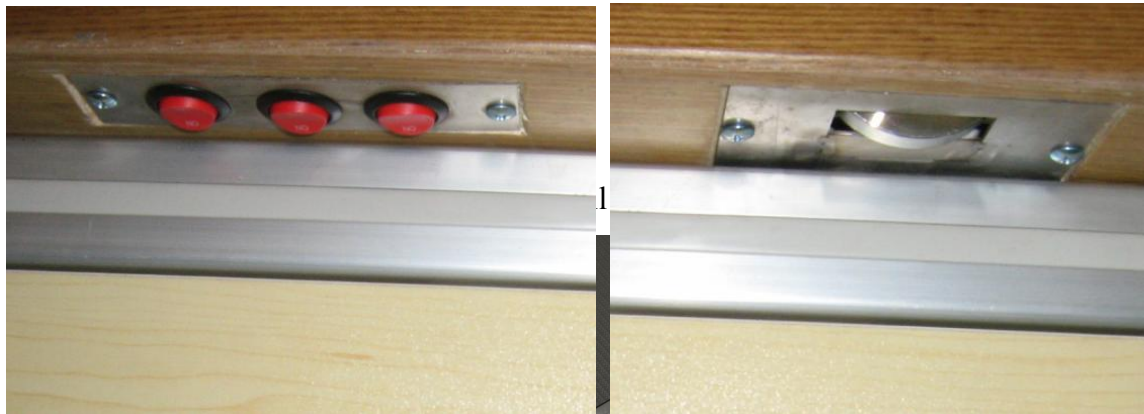
(3) profile frame: 4040L industrial aluminum profile is used to form a high strength frame, with surface acid sand oxidation treatment.



(4) LED cold light source light box: using Taiwan imported LED chip light source, 24V safe voltage, color temperature 600-6500K.



(5) Control: the whole light box light source is divided into three areas, which can be independently controlled. The control mode is knob dimming type, and the control principle is PWM stepless dimming technology, with no strobe.

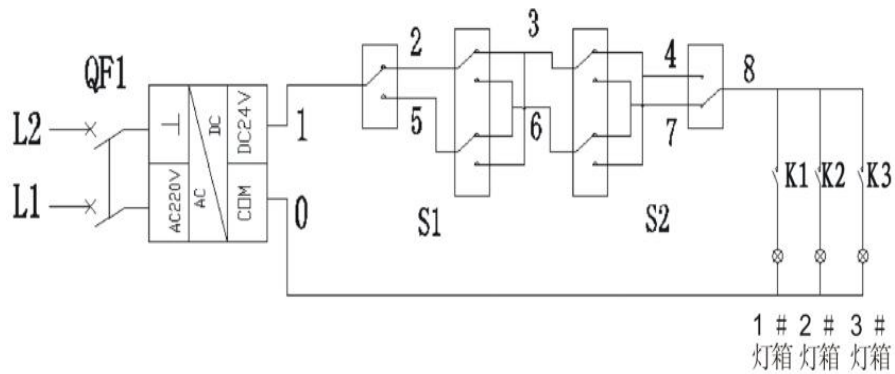


### 3. Equipment parameters:

- 1, lighting using LED wafer type cold light source;
2. The illumination control mode is manually controlled by three-gear zones;
3. Input voltage: 220V 50HZ; use voltage: AC 220V to DC 24V;
- 4, with waterproof and anti-corrosion functions;
- 5, dimensions: 1800 (length) 900 (width) 750 (height) mm;
- 6, countertop treatment: 8mm tempered glass, removable.

7, the desktop and the table body card bit connection, convenient and fast maintenance.

**4. Working principle:**



**5. Chinese calligraphy and painting copy repair platform diagram**

